

Hydraulic-pump

Height adjustment by hydraulic pump - a clever alternative not only for beds

With the new Bansbach hydraulic pump, the height of a great variety of applications can be adjusted **by simply pumping**. The pump can be completely operated **without external energy supply**. The movement is effected by simply pumping. Due to the weight of the application, the reset is always controlled and can be effected by opening the valve with a movement at the lever.

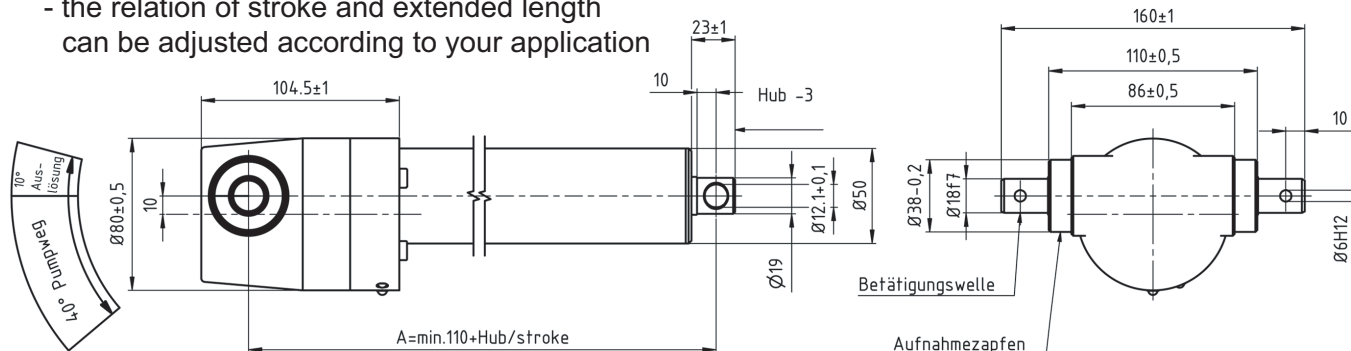
The known characteristics of the Bansbach gas springs apply of course for this Bansbach product, too.

We offer here also a **very flexible product range** which will be adapted to the characteristics of your application and therefore optimally fulfills your requirements.

Please contact us!

Product characteristics:

- maintenance-free
- completely independent of external energy supply
- extension forces up to 10kN
- strokes from 80 - 400 mm possible
- different connecting parts available
- the relation of stroke and extended length can be adjusted according to your application



The flyer is subject to technical alterations and printing mistakes.