



The new **XXL**-gas spring

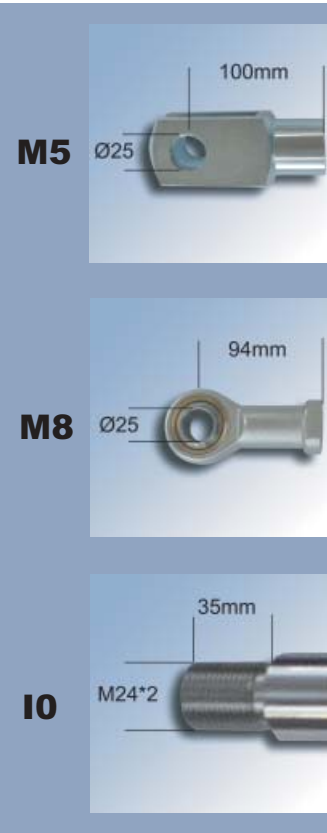
The power pack in jumbo size

The biggest Bansbach gas spring is most interesting when big force have to be moved or the stroke has to be extralarge. The gas spring with a piston rod diameter of 30 mm and a cylinder diameter of 70 mm is available with an extension force of up to 12.000N and therefore a really power pack.

And, of course, this gas spring size has all the reliable Bansbach characteristics, too. We manufacture this gas spring exactly according to your requirements. You get the stroke, the extension force and the connecting parts which you require for your application. The standard version of this gas spring will always be made with scraper and valve.

Product characteristics:

- piston rod diameter 30 mm
- cylinder diameter 70 mm
- stroke 100 - 800 mm
- extension force 1.000 - 12.000 N
- different connecting parts available
- with valve
- with scraper



Connecting parts piston rod	connecting parts cylinder	model	push out speed	diameter piston rod/cylinder	stroke	extended length (EL1)	index number.*	extension-force
IO	IO	-	4	M	700	1520	001*	11000
IO = M24x2x35 M5 = Clevises M8 = Hinge eye	IO = M24x2x35 M5 = Clevises M8 = Hinge eye	-	see gassprings	M 30/70	100 - 800	stroke x 2 + 120	* With the index no. – only necessary for repeating orders – we can reproduce exactly the same gas spring which has already been produced. You will receive the index no. with the order confirmation/invoice.	1.000 - 12.000 N

The flyer is subject to technical alterations and printing mistakes.