

# New

## easystop with bowden wire adjustment

### The first gas spring with adjustable retention force (push-in direction) worldwide

Adjust your gas spring according to your individual requirements: Due to easystop, this can be done very simple now. With an adjusting knob, the **retention force** of the gas spring **can be adjusted in push-in direction** to individual loads and forces.

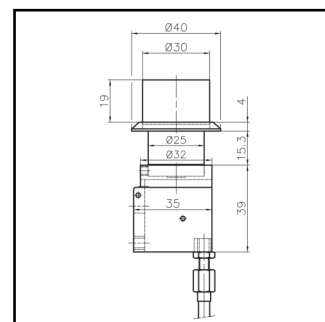
This is important when **different loads operate onto** the application and therefore different weights have to be moved. With an adjusting knob which is connected with the gas spring by a bowden wire, you can **react to the different loads**.

thread piston rod	connecting part cylinder	model	push-out speed	type	stroke	extended length	Index No.*	extension force	retention force (push-in direction)
<b>K0</b>	<b>B1</b>	<b>BS</b>	-	<b>2</b>	<b>250</b>	<b>583</b>	<b>001*</b>	<b>200</b>	
<b>K0 =</b> MF 10x1x18	see catalogue page 44	BS	- normal	<b>2</b> 10/22	10 - 700	stroke x 2 + 83	*With the index no. – only necessary for repeating orders – we can reproduce exactly the same gas spring which has already been produced. You will receive the index no. with the order confirmation/invoice.	100 - 600 N	0 - 1000 N (possible retention force range)
			<b>0</b> fast	<b>3</b> 10/28	10 - 700	stroke x 2 + 97			
			<b>7</b> slow						



#### Adjusting knob 20ES1270

- linear bowden wire connection
- easy assembly by screw fitting
- complete range of adjustment by turning by 270°
- bowden wire lengths of 500 - 1500 mm available
- delivery incl. safety plate



Technische Änderungen und Druckfehler vorbehalten. The flyer is subject to technical alterations and printing mistakes.

**Bansbach easylift GmbH**  
Barbarossastraße 8  
D-73547 Lorch

Tel. +49 (0) 7172/9107-0  
Fax +49 (0) 7172/9107-44

info@bansbach.de  
www.bansbach.de

**Bansbach**  
easylift